

RATCHET P CLAMP

Ease of Use

No more struggling with grommets and two-piece designs that are difficult to handle. We also eliminated having to pry open the clamp when you need to reposition a bundle or change out the clamp. And you can use our EVO hand tools to secure the ratchet, if that is how you prefer to work.



One-Piece Design – One-Touch Secure

Our one-piece, solid body design is operated manually, clicking as it closes to let you know it's secure. You'll also never have to put a clamp in place and struggle to mount it while holding the pieces together around the bundle.



Releasability

Releasability is one of Ratchet P Clamp's unique features. All you need is a small, flat head screwdriver to open the clamp. Simply guide the screwdriver between the ratchet rails and push down. Ratchet P Clamp's non-destructive, releasable clamp streamlines bundle installation and service.

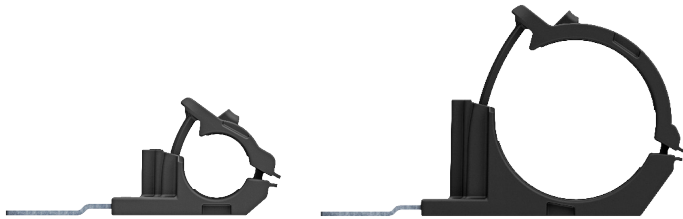


Tension Tab

The Tension Tab is a molded plastic strap engineered specifically for using EVO Series hand tools to close a Ratchet P Clamp. Tension Tabs enable you to fix bundles with precision, at any of 33 preset tension settings.

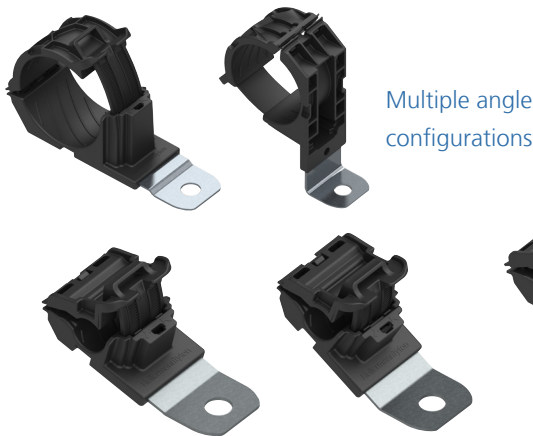
RATCHET P CLAMP

Versatility Working with a mix of wires and cable sizes? Need to route multiple bundles in parallel? Ratchet P Clamp will secure a range of cables without changing any other part of your cable routing and management strategy.



Multiple Sizes

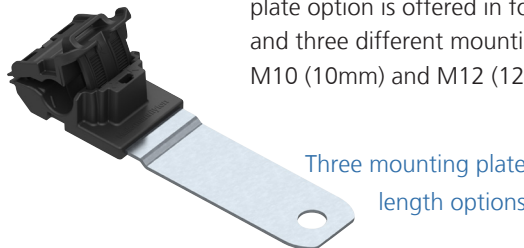
Four ratchet sizes accommodate hard line and soft cable bundles ranging from 0.24" (6.2mm) - 2.0" (51mm) in diameter. You can reduce your inventory with only a few adjustable P clamps.



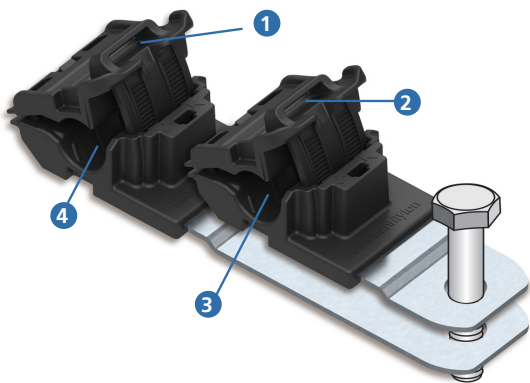
Multiple angle configurations

Mounting Options

From slightly offset to raised off the frame or panel, and with various angles and mounting plate lengths, you can fix cables exactly where design specifications dictate. Each mounting plate option is offered in four angles (180°, 15°, 30° and 90°) and three different mounting hole diameters: M8 (8mm), M10 (10mm) and M12 (12mm).



Three mounting plate length options



Multiple Configurations

You can stack and mix Ratchet P Clamps with different mounting plate lengths and angles to manage diverse cable combinations. There is an unlimited number of possible routing options and configurations.

Stacking a short and long length together can give you up to 4 fixing points (1 in each clamp and 1 in each cable tie saddle), using only one bolt.

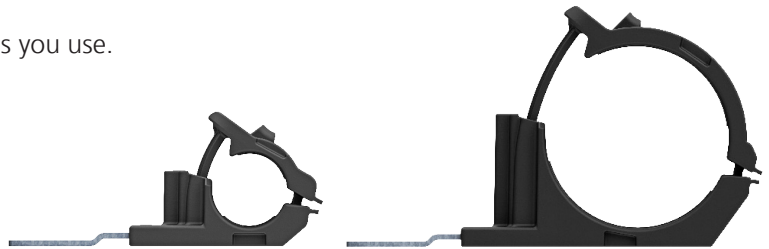
RATCHET P CLAMP

How to Choose a Ratchet P Clamp

STEP 1: Determine bundle diameter.

Match the bundle diameter range to the wire bundles you use.

SIZE	BUNDLE DIAMETER RANGE
A	0.24" - 0.54" (6.2mm - 13.7mm)
B	0.5" - 0.77" (12.7mm - 19.5mm)
C	0.76" - 1.42" (19.4mm - 36.0mm)
D	1.42" - 2.0" (36.0mm - 51.0mm)



STEP 2: Choose routing orientation/variant.

Choose from 180° straight, 15°, 30° or 90° angles.



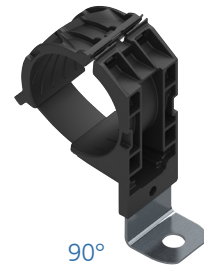
180° straight



15°



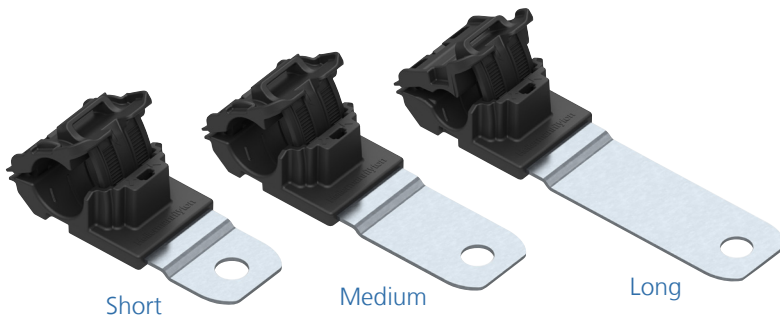
30°



90°

STEP 3: Specify the length of the mounting plate.

We designed the mounting plate specification to be equal to the distance from center of clamp to center of mounting hole. (Some angles/variants are not offered in all three lengths.)



Short

Medium

Long

STEP 4: Choose bolt size/ mounting hole diameter.

Each mounting plate option is offered in three different mounting hole diameters to accommodate the most common bolt sizes: M8 (8mm), M10 (10mm) and M12 (12mm).

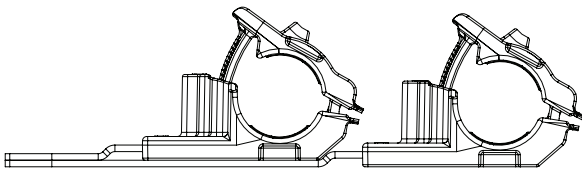


RATCHET P CLAMP

Multiple Configurations

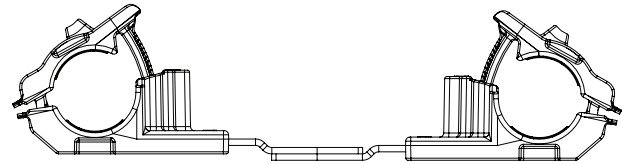
The wiring schemes in heavy duty applications become more complex day after day. Using a single mounting point, you can combine Ratchet P Clamps to match the number, position and diameters of the bundles inherent to today's wire management challenges. You'll see below just a few of the nearly endless number of configurations you can arrange by mixing Ratchet P Clamps of varying sizes and different mounting plates.

1



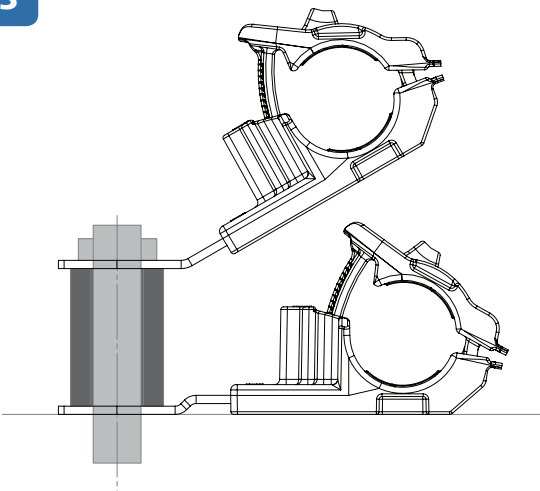
You can piggy-back Ratchet P Clamps by using different length mounting plates to secure parallel cable configurations.

2



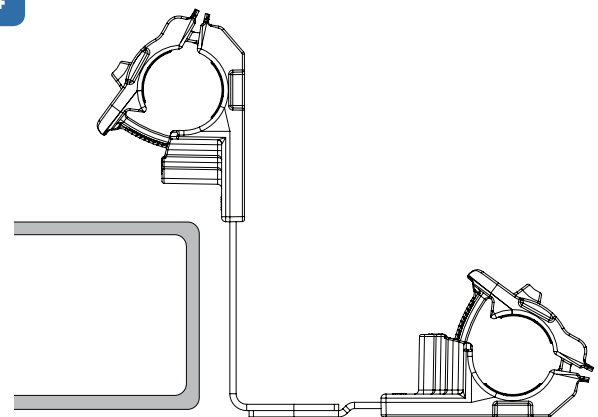
Ratchet P Clamp mounting plates are shaped to allow face-to-face positioning. By using different length mounting plates, you can vary the distance between bundles and take advantage of the optimal routing path.

3



Add a spacer between Ratchet P Clamps to speed installation and maintenance of stacked wire bundles.

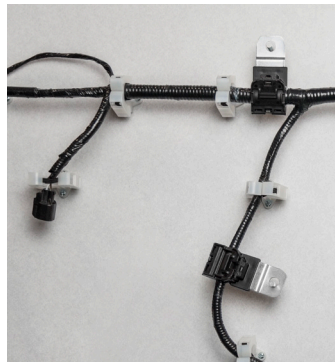
4



90° angle mounting plates enable you to work around obstacles and protect wire from contacting moving parts.

RATCHET P CLAMP

Alignment Because the clamp area is independent from the mounting plate, the design allows for pre-installation on frame rails and pre-assembly on wire harnesses. The advantage? Greater efficiencies that drive productivity and profitability.



Pre-installation/Pre-assembly

During pre-installation, simply install bolts in mounting plates and leave the clamps open. You can then insert the bundle into multiple clamps along the route, in one pass, reducing installation time by getting the alignment right the first time.

You can also attach Ratchet P Clamps along wire harnesses to pre-assemble the harness before taking the next step. You'll streamline the process and add production line workflow flexibility.



Contoured Clamp Interior

The contoured clamp interior helps to position and center bundles as the clamp closes, minimizing pinching and the associated rework caused by damage to wires.



Cable Tie Saddle

Working with customers on a variety of applications, we learned that electrical runs and other bundles sometimes need to be secured adjacent to side-by-side bundles. That inspired us to add the integrated cable tie saddle for additional routing. Rounded to cradle the bundle, the cable tie saddle enables fixing everything from T18 to wide strap ties.

RATCHET P CLAMP

Durability Whether you are assembling trucks or automobiles, manufacturing severe duty vehicles or wiring a solar farm, you'll know that the cables will be secure, easy to maintain and functional for years to come.

Robust Materials



Impact modified, heat and UV stabilized PA66 material clamp is extremely durable and will not abrade cables and hoses. There's no coating to wear off and the robust living hinge is engineered to far exceed any expected application requirements.

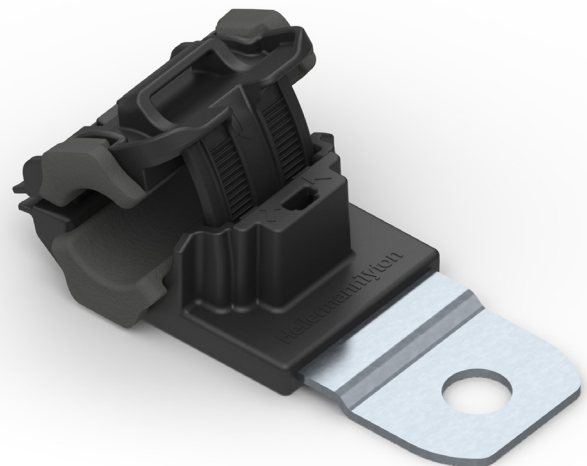


The stamped mounting plate is treated to resist chemicals and has a coating that meets RoHS specifications for environmental factors. The special hardened steel withstands high torque bolt installation.

Soft Inserts

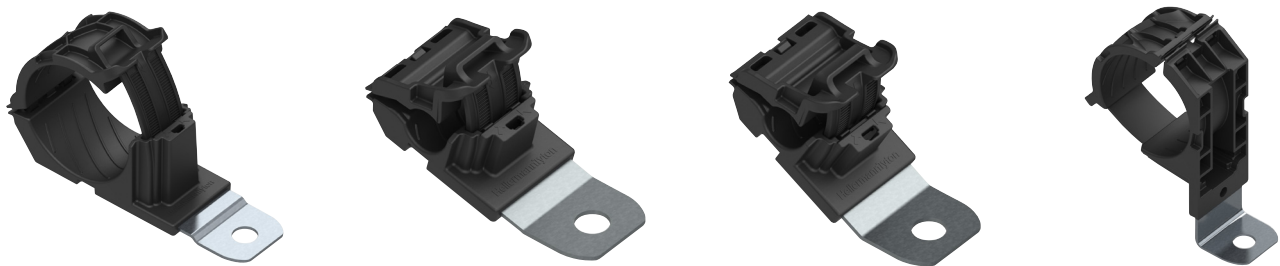
Adding grommets or dipping metal P clamps in PVC has traditionally been the approach to making them less abrasive. But grommets sometimes fail to fit properly and PVC wears off over time.

Soft Inserts are an accessory that eliminates those issues, snapping precisely into the body of the clamp to provide an enhanced level of protection. You now have an ideal solution for applications with movement, high vibration or soft cable bundles.



RATCHET P CLAMP

Features



How to Choose a Ratchet P Clamp



STEP 1

Determine bundle diameter.

Match the bundle diameter range to the wire bundles you use.

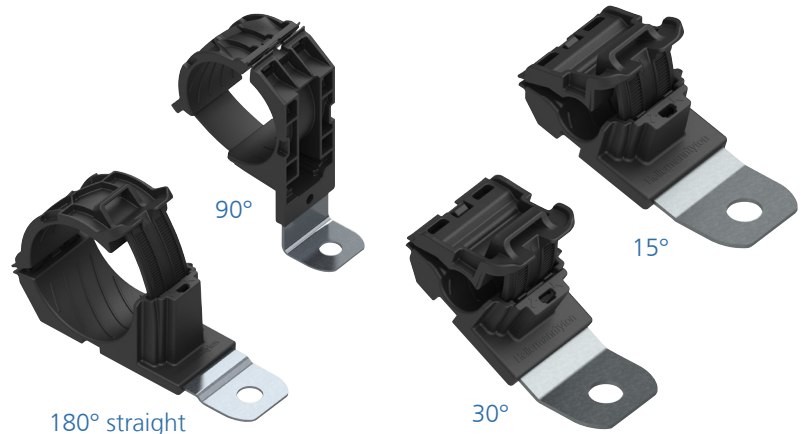
SIZE	BUNDLE DIAMETER RANGE
A	0.24" - 0.54" (13.7mm - 6.2mm)
B	0.5" - 0.77" (19.5mm - 12.7mm)
C	0.76" - 1.42" (36.0mm - 19.2mm)
D	1.38" - 2.0" (35.1mm - 51.0mm)



STEP 2

Choose routing orientation / variant.

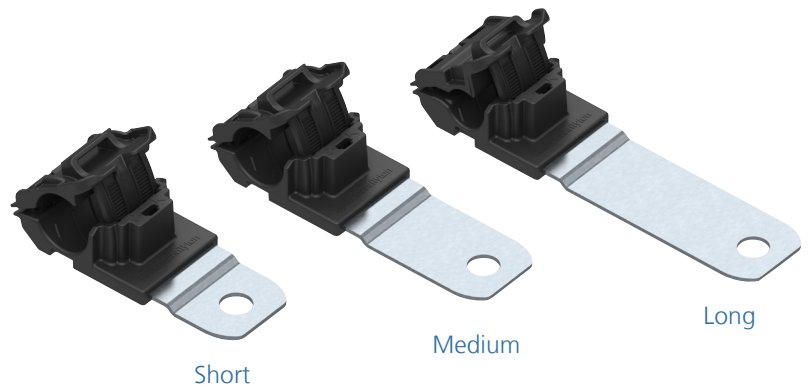
Choose from 180° straight, 15°, 30° or 90° angles.



STEP 3

Specify the length of the mounting plate.

We designed the mounting plate specification to be equal to the distance from center of clamp to center of mounting hole. (Some angles/variants are not offered in all three lengths.)



STEP 4

Choose bolt size/mounting hole diameter.

Each mounting plate option is offered in three different mounting hole diameters to accommodate the most common bolt sizes: M8 (8mm), M10 (10mm) and M12 (12mm).



Ratchet P Clamp



VERSATILITY

Working with a mix of wires and cable sizes? Need to route multiple bundles in parallel? Ratchet P Clamp will secure a range of cables without changing any other part of your cable routing and management strategy.

Multiple Sizes

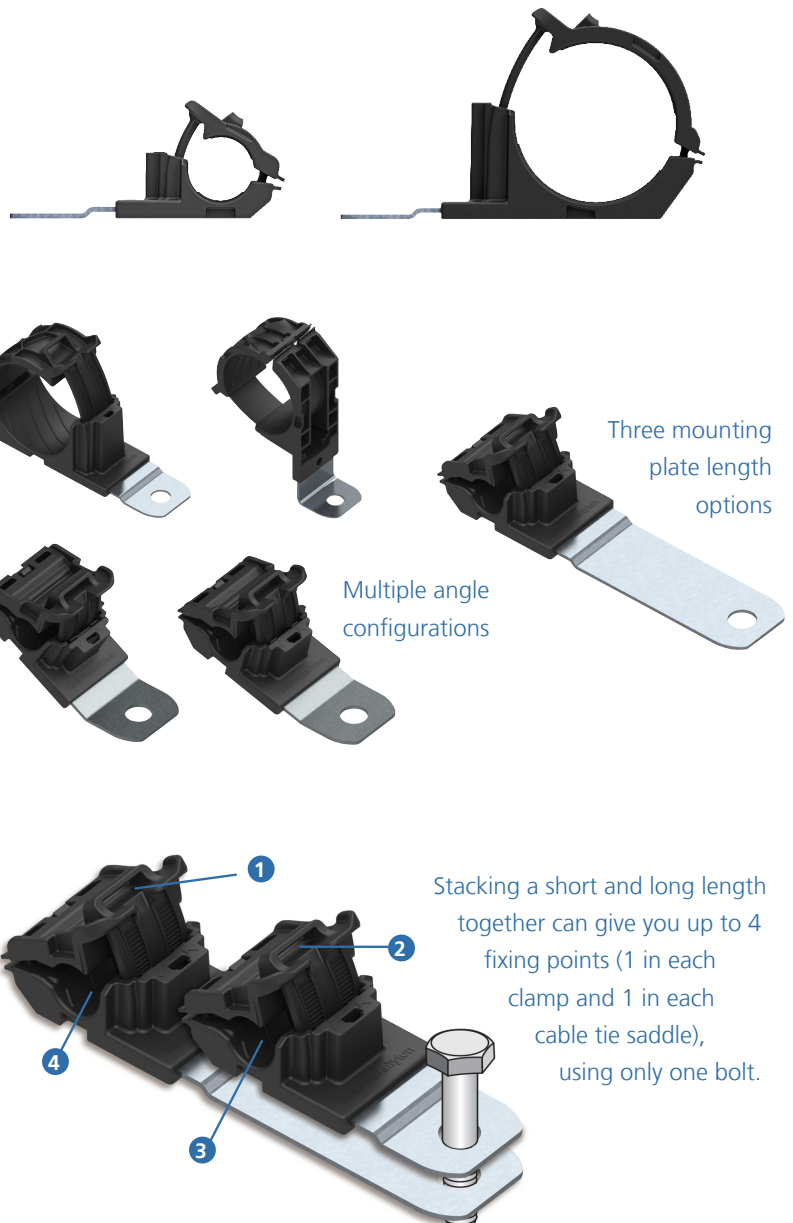
Four ratchet sizes accommodate hard line and soft cable bundles ranging from 0.24" (6.2mm) - 2.0" (51mm) in diameter. You can reduce your inventory with only a few adjustable P clamps.

Mounting Options

From slightly offset to raised off the frame or panel, and with various angles and mounting plate lengths, you can fix cables exactly where design specifications dictate. Each mounting plate option is offered in four angles (180°, 15°, 30° and 90°) and three different mounting hole diameters: M8 (8mm), M10 (10mm) and M12 (12mm).

Multiple Configurations

You can stack and mix Ratchet P Clamps with different mounting plate lengths and angles to manage diverse cable combinations. There is an unlimited number of possible routing options and configurations.



Ratchet P Clamp

EASE OF USE

No more struggling with grommets and two-piece designs that are difficult to handle. We also eliminated having to pry open the clamp when you need to reposition a bundle or change out the clamp. And you can use our EVO hand tools to secure the ratchet, if that is how you prefer to work.

One-Piece Design – One-Touch Secure

Our one-piece, solid body design is operated manually, clicking as it closes to let you know it's secure. You'll also never have to put a clamp in place and struggle to mount it while holding the pieces together around the bundle.

Releasability

Releasability is one of Ratchet P Clamp's unique features. All you need is a small, flat head screwdriver to open the clamp. Simply guide the screwdriver between the ratchet rails and push down. Ratchet P Clamp's non-destructive, releasable clamp streamlines bundle installation and service.

Tension Tab

The Tension Tab is a molded plastic strap engineered specifically for using EVO Series hand tools to close a Ratchet P Clamp. Tension Tabs enable you to fix bundles with precision, at any of 33 preset tension settings.



Ratchet P Clamp

ALIGNMENT

Because the clamp area is independent from the mounting plate, the design allows for pre-installation on frame rails and pre-assembly on wire harnesses. The advantage? Greater efficiencies that drive productivity and profitability.

Pre-installation/Pre-assembly

During pre-installation, simply install bolts in mounting plates and leave the clamps open. You can then insert the bundle into multiple clamps along the route, in one pass, reducing installation time by getting the alignment right the first time.

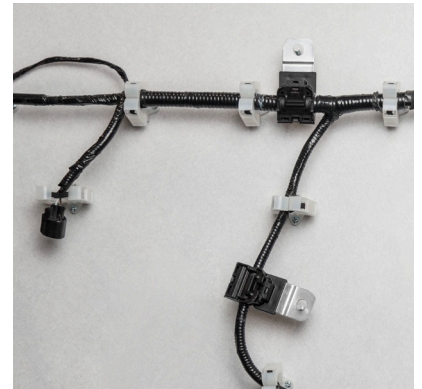
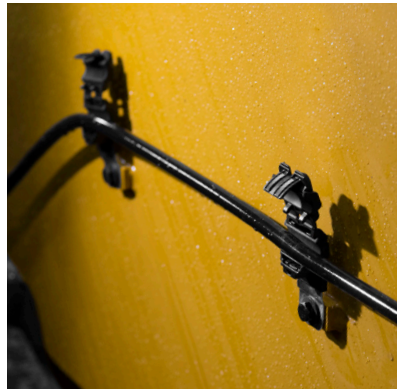
You can also attach Ratchet P Clamps along wire harnesses to pre-assemble the harness before taking the next step. You'll streamline the process and add production line workflow flexibility.

Contoured Clamp Interior

The contoured clamp interior helps to position and center bundles as the clamp closes, minimizing pinching and the associated rework caused by damage to wires.

Cable Tie Saddle

Working with customers on a variety of applications, we learned that electrical runs and other bundles sometimes need to be secured adjacent to side-by-side bundles. That inspired us to add the integrated cable tie saddle for additional routing. Rounded to cradle the bundle, the cable tie saddle enables fixing everything from T18 to wide strap ties.



HellermannTyton

ANIXTER

Ratchet P Clamp

DURABILITY

Whether you are assembling trucks or automobiles, manufacturing severe duty vehicles or wiring a solar farm, you'll know that the cables will be secure, easy to maintain and functional for years to come.

Robust Materials

Impact modified, heat and UV stabilized PA66 material clamp is extremely durable and will not abrade cables and hoses. There's no coating to wear off and the robust living hinge is engineered to far exceed any expected application requirements.

The stamped mounting plate is treated to resist chemicals and has a coating that meets RoHS specifications for environmental factors. The special hardened steel withstands high torque bolt installation.

Soft Inserts

Adding grommets or dipping metal P clamps in PVC has traditionally been the approach to making them less abrasive. But grommets sometimes fail to fit properly and PVC wears off over time.

Soft Inserts are an accessory that eliminates those issues, snapping precisely into the body of the clamp to provide an enhanced level of protection. You now have an ideal solution for applications with movement, high vibration or soft cable bundles.

